

## 2V<sub>RMS</sub> DirectPath™, 112/106/100dB Audio Stereo DAC with 32-bit, 384kHz PCM Interface

Check for Samples: [PCM5100](#), [PCM5101](#), [PCM5102](#)

### FEATURES

- **Hardware Control**
- **Analog Performance (3.3V Power Supply)**
  - SNR: 112/106/100dB (Typical)
  - Dynamic Range: 112/106/100dB (Typical)
  - THD+N: - 93/-92/90dB @ - 1dBfs (Typical)
  - Full Scale Output: 2.1V<sub>RMS</sub> (Ground Center)
  - No DC Blocking Capacitors Required
  - Market leading low out of band noise.
- **Digital Filter Latency & Performance Select**
- **Normal 8× Oversampling Digital Filter:**
  - Stopband Attenuation: –60dB
  - Passband Ripple: ±0.02dB
- **Low Latency 8× Oversampling Digital Filter:**
  - Stopband Attenuation: –52dB
  - Passband Ripple: ±0.0001dB
- **Sampling Frequency: 8kHz To 384kHz**
- **System Clock Multiples (f<sub>SCK</sub>): 64, 128, 192, 256, 384, 512, 768, 1024, 1152, 1536, 2048, 3072**
- **Accepts 16-, 24-, And 32-Bit Audio Data**
- **PCM Data Formats: I<sup>2</sup>s, Left-Justified**
- **Intelligent Muting System, Soft Up/Down Ramp & Analog Mute For 120dB Mute SNR With Popless Operation.**
- **Integrated Power On Reset**
- **Integrated Negative Charge Pump**
- **Integrated High-Performance Audio PLL With BCK Reference To Generate SCK Internally**
- **Automatic Power-Save Mode When LRCK And BCK Are Deactivated.**
- **Internal Pop-Free Control For Sample-Rate Changes Or Clock Halts**
- **Single Supply Operation:**
  - 3.3V Analog, 3.3V Digital
- **3.3V Failsafe LVCMOS Digital Inputs**
- **Small 20-pin TSSOP Package**

### APPLICATIONS

- **A/V Receivers**
- **DVD, BD Players**
- **HDTV Receivers**
- **Other Applications Requiring 2V<sub>rms</sub> output**

### DESCRIPTION

The PCM510x devices are a family of monolithic CMOS integrated circuits that include a stereo digital-to-analog converter and additional support circuitry in a small TSSOP package. The PCM510x uses the latest generation of TI's advanced segment DAC architecture to achieve excellent dynamic performance and improved tolerance to clock jitter.

The PCM510x devices are simpler hardware controlled 2V<sub>RMS</sub> DACs, with filter select, PLL and auto-mute functions.

The PCM510x provides 2.1V<sub>RMS</sub> ground centered outputs, allowing designers to eliminate DC blocking capacitors on the output, as well as external muting circuits traditionally associated with single supply line drivers.

The integrated line driver surpasses all other charge-pump based line drivers by supporting loads down to 1kΩ.

By supporting loads down to 1kΩ, the PCM510x can essentially drive up to 10 products in parallel. (LCD TV, DVDR, AV Receivers etc).

The integrated PLL on the device removes the requirement for a system clock (commonly known as master clock). This allows a 3-wire I<sup>2</sup>S connection, along with reduced system EMI.

Intelligent clock error and PowerSense under voltage protection utilizes a two level mute system for pop-free performance. Upon clock error or system power failure, the device digitally attenuates the data (or last known good data), then mutes the analog circuit

Compared with existing DAC technology, the PCM510x family offers up to 20dB lower out-of-band noise, reducing EMI and aliasing in downstream amplifiers/ADCs. (from traditional 100kHz OBN measurements all the way to 3MHz)

The PCM510x accepts industry-standard audio data formats with 16- to 32-bit data. Sampling rates up to 384kHz are supported.



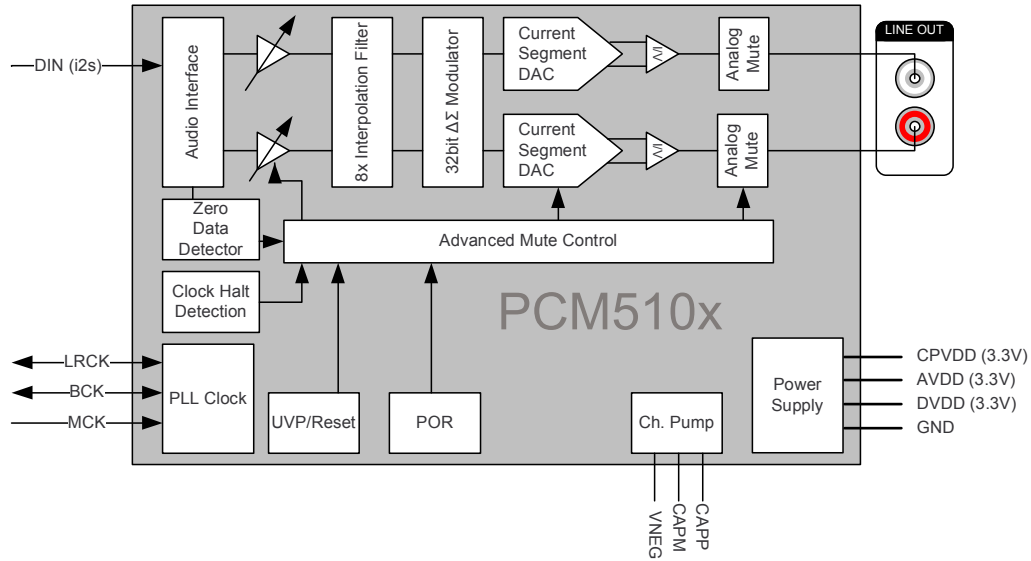
Please be aware that an important notice concerning availability, standard warranty, and use in critical applications of Texas Instruments semiconductor products and disclaimers thereto appears at the end of this data sheet.

System Two Cascade, Audio Precision are trademarks of Audio Precision.

DirectPath is a trademark of Texas, Instruments, Inc..

**Table 1. Differences Between PCM510x Devices**

| Part Number | Dynamic Range | SNR   | THD   |
|-------------|---------------|-------|-------|
| PCM5102     | 112dB         | 112dB | -93dB |
| PCM5101     | 106dB         | 106dB | -92dB |
| PCM5100     | 100dB         | 100dB | -90dB |



**Figure 1. PCM510x Functional Block Diagram**



This integrated circuit can be damaged by ESD. Texas Instruments recommends that all integrated circuits be handled with appropriate precautions. Failure to observe proper handling and installation procedures can cause damage.

ESD damage can range from subtle performance degradation to complete device failure. Precision integrated circuits may be more susceptible to damage because very small parametric changes could cause the device not to meet its published specifications.

## ABSOLUTE MAXIMUM RATINGS

over operating free-air temperature range (unless otherwise noted)

|                                  | VALUE       | UNIT |
|----------------------------------|-------------|------|
| Supply Voltage AVDD, CPVDD, DVDD | -0.3 to 3.9 | V    |
| Digital Input Voltage            | -0.3 to 3.9 |      |
| Analog Input Voltage             | -0.3 to 3.9 |      |
| Operating Temperature Range      | -25 to 85   | °C   |
| Storage Temperature Range        | -65 to 150  |      |

## THERMAL CHARACTERISTICS

over operating free-air temperature range (unless otherwise noted)

| PARAMETER     |                          | TEST CONDITIONS | MIN | TYP  | MAX | UNIT |
|---------------|--------------------------|-----------------|-----|------|-----|------|
| $\theta_{JA}$ | Theta JA                 | High K          |     | 91.2 |     | °C/W |
| $\Psi_{JT}$   | Psi JT                   |                 |     | 1.0  |     |      |
| $\Psi_{JB}$   | Psi JB                   |                 |     | 41.5 |     |      |
| $\theta_{JC}$ | Theta JC                 | Top             |     | 25.3 |     |      |
| $\theta_{JB}$ | Theta JB                 |                 |     | 42.0 |     |      |
|               | Device Power Dissipation |                 |     | 94.4 | 185 | mW   |

## ELECTRICAL CHARACTERISTICS

All specifications at  $T_A = 25^\circ\text{C}$ ,  $AV_{DD} = CPV_{DD} = DV_{DD} = 3.3\text{V}$ ,  $f_S = 48\text{kHz}$ , system clock =  $512 f_S$  and 24-bit data unless otherwise noted.

| PARAMETER                            |                             | TEST CONDITIONS        | MIN   | TYP | MAX | UNIT |
|--------------------------------------|-----------------------------|------------------------|---|-----|-----|------|
|                                      | Resolution                  |                        | 16  | 24  | 32  | Bits |
| <b>Data Format (PCM Mode)</b>        |                             |                        |   |     |     |      |
|                                      | Audio data interface format |                        | I <sup>2</sup> S, left justified  |     |     |      |
|                                      | Audio data bit length       |                        | 16, 24, 32-bit acceptable   |     |     |      |
|                                      | Audio data format           |                        | MSB First, 2's Complement   |     |     |      |
| $f_S$                                | Sampling frequency          |                        | 8   |     | 384 | kHz  |
|                                      | System clock frequency      |                        | 64, 128, 192, 256, 384, 512, 768, 1024, 1152, 1536, 2048, or 3072 $f_{SCK}$ , up to 50Mhz |     |     |      |
| <b>Digital Input/Output</b>          |                             |                        |   |     |     |      |
| Logic Family: 3.3V LVCMOS compatible |                             |                        |   |     |     |      |
| $V_{IH}$                             | Input logic level           |                        | 0.7×DV <sub>DD</sub>  |     |     | V    |
| $V_{IL}$                             |                             |                        | 0.3×DV <sub>DD</sub>  |     |     |      |
| $I_{IH}$                             | Input logic current         | $V_{IN} = V_{DD}$      | 10  |     |     | μA   |
| $I_{IL}$                             |                             | $V_{IN} = 0\text{V}$   | -10   |     |     |      |
| $V_{OH}$                             | Output logic level          | $I_{OH} = -4\text{mA}$ | 0.8×DV <sub>DD</sub>  |     |     | V    |
| $V_{OL}$                             |                             | $I_{OL} = 4\text{mA}$  | 0.22×DV <sub>DD</sub>   |     |     |      |

**ELECTRICAL CHARACTERISTICS (continued)**

All specifications at  $T_A = 25^\circ\text{C}$ ,  $AV_{DD} = CPV_{DD} = DV_{DD} = 3.3\text{V}$ ,  $f_S = 48\text{kHz}$ , system clock =  $512 f_S$  and 24-bit data unless otherwise noted.

| PARAMETER   | TEST CONDITIONS                         | MIN          | TYP          | MAX          | UNIT       |
|---|---|--------------|--------------|--------------|------------|
| <b>Dynamic Performance (PCM Mode)<sup>(1)(2)</sup> (Values shown for three devices PCM5102/PCM5101/PCM5100)</b> |   |              |              |              |            |
| THD+N at $V_{OUT} = -1\text{ dB}^{(2)}$   | $f_S = 48\text{kHz}$                    |              | -93/-92/-90  | -83/-82/-80  | dB         |
|   | $f_S = 96\text{kHz}$                    |              | -93/-92/-90  |              |            |
|   | $f_S = 192\text{kHz}$                   |              | -93/-92/-90  |              |            |
| Dynamic range <sup>(2)</sup>  | EIAJ, A-weighted, $f_S = 48\text{kHz}$  | 106/ 100/ 95 | 112/106/100  |              |            |
|   | EIAJ, A-weighted, $f_S = 96\text{kHz}$  |              | 112/106/100  |              |            |
|   | EIAJ, A-weighted, $f_S = 192\text{kHz}$ |              | 112/106/100  |              |            |
| Signal-to-noise ratio <sup>(2)</sup>  | EIAJ, A-weighted, $f_S = 48\text{kHz}$  |              | 112/106/100  |              |            |
|   | EIAJ, A-weighted, $f_S = 96\text{kHz}$  |              | 112/106/100  |              |            |
|   | EIAJ, A-weighted, $f_S = 192\text{kHz}$ |              | 112/106/100  |              |            |
| Signal to noise ratio with analog mute <sup>(2)(3)</sup>  | EIAJ, A-weighted, $f_S = 48\text{kHz}$  | 113          | 123          |              |            |
|   | EIAJ, A-weighted, $f_S = 96\text{kHz}$  |              | 123          |              |            |
|   | EIAJ, A-weighted, $f_S = 192\text{kHz}$ |              | 123          |              |            |
| Channel Separation  | $f_S = 48\text{ kHz}$                   | 100/ 95/ 90  | 109/ 103/ 97 |              |            |
|   | $f_S = 96\text{kHz}$                    |              | 109/ 103/ 97 |              |            |
|   | $f_S = 192\text{kHz}$                   |              | 109/ 103/ 97 |              |            |
| <b>Analog Output</b>  |   |              |              |              |            |
| Output voltage  |   |              | 2.1          |              | $V_{RMS}$  |
| Gain error  |   | -6           | $\pm 2.0$    | 6            | % of FSR   |
| Gain mismatch, channel-to-channel   |   | -6           | $\pm 2.0$    | 6            | % of FSR   |
| Bipolar zero error  | At bipolar zero                         | -5           | $\pm 1.0$    | 5            | mV         |
| Load impedance  |   | 1            |              |              | k $\Omega$ |
| <b>Filter Characteristics–1: Normal</b>   |   |              |              |              |            |
| Pass band   |   |              |              | $0.45f_S$    |            |
| Stop band   |   | $0.55f_S$    |              |              |            |
| Stop band attenuation   |   | -60          |              |              | dB         |
| Pass-band ripple  |   |              |              | $\pm 0.02$   |            |
| Delay time  |   |              | $20/f_S$     |              | s          |
| <b>Filter Characteristics–2: Low Latency</b>  |   |              |              |              |            |
| Pass band   |   |              |              | $0.47f_S$    |            |
| Stop band   |   | $0.55f_S$    |              |              |            |
| Stop band attenuation   |   | -52          |              |              | dB         |
| Pass-band ripple  |   |              |              | $\pm 0.0001$ |            |
| Delay time  |   |              | $3.5/f_S$    |              | s          |

(1) Filter condition: THD+N: 20Hz HPF, 20kHz AES17 LPF Dynamic range: 20Hz HPF, 20kHz AES17 LPF, A-weighted Signal-to-noise ratio: 20Hz HPF, 20kHz AES17 LPF, A-weighted Channel separation: 20Hz HPF, 20kHz AES17 LPF Analog performance specifications are measured using the System Two Cascade™ audio measurement system by Audio Precision™ in the RMS mode.

(2) Output load is 10k $\Omega$ , with 470 $\Omega$  output resistor and a 2.2nF shunt capacitor (see recommended output filter).

(3) Assert XSMT or both L-ch and R-ch PCM data are BPZ

**ELECTRICAL CHARACTERISTICS (continued)**

All specifications at  $T_A = 25^\circ\text{C}$ ,  $AV_{DD} = CPV_{DD} = DV_{DD} = 3.3\text{V}$ ,  $f_S = 48\text{kHz}$ , system clock =  $512 f_S$  and 24-bit data unless otherwise noted.

| PARAMETER                        | TEST CONDITIONS                                    | MIN                                  | TYP | MAX   | UNIT  |     |
|----------------------------------|--|--------------------------------------|-----|-------|-------|-----|
| <b>Power Supply Requirements</b> |  |                                      |     |       |       |     |
| $DV_{DD}$                        | Digital supply voltage                             | Target $DV_{DD} = 3.3\text{V}$       | 3.0 | 3.3   | 3.6   | VDC |
| $AV_{DD}$                        | Analog supply voltage                              |                                      | 3.0 | 3.3   | 3.6   |     |
| $CPV_{DD}$                       | Charge-pump supply voltage                         |                                      | 3.0 | 3.3   | 3.6   |     |
| $I_{DD}$                         | $DV_{DD}$ supply current at $3.3\text{V}^{(4)}$    | $f_S = 48\text{kHz}$                 |     | 7     | 12    | mA  |
|                                  |  | $f_S = 96\text{kHz}$                 |     | 8     |       |     |
|                                  |  | $f_S = 192\text{kHz}$                |     | 9     |       |     |
| $I_{DD}$                         | $DV_{DD}$ supply current at $3.3\text{V}^{(5)}$    | $f_S = 48\text{kHz}$                 |     | 8     | 13    | mA  |
|                                  |  | $f_S = 96\text{kHz}$                 |     | 9     |       |     |
|                                  |  | $f_S = 192\text{kHz}$                |     | 10    |       |     |
| $I_{DD}$                         | $DV_{DD}$ supply current at $3.3\text{V}^{(6)}$    |                                      | 0.5 | 0.8   | mA    |     |
| $I_{CC}$                         | $AV_{DD} / CPV_{DD}$ Supply Current <sup>(4)</sup> | $f_S = 48\text{kHz}$                 |     | 11    | 16    | mA  |
|                                  |  | $f_S = 96\text{kHz}$                 |     | 11    |       |     |
|                                  |  | $f_S = 192\text{kHz}$                |     | 11    |       |     |
| $I_{CC}$                         | $AV_{DD} / CPV_{DD}$ Supply Current <sup>(5)</sup> | $f_S = 48\text{kHz}$                 |     | 22    | 32    | mA  |
|                                  |  | $f_S = 96\text{kHz}$                 |     | 22    |       |     |
|                                  |  | $f_S = 192\text{kHz}$                |     | 22    |       |     |
| $I_{CC}$                         | $AV_{DD} / CPV_{DD}$ Supply Current <sup>(6)</sup> | $f_S = \text{n/a}$                   |     | 0.2   | 0.4   | mA  |
|                                  | Power Dissipation, $DV_{DD} = 3.3\text{V}^{(4)}$   | $f_S = 48\text{kHz}$                 |     | 59.4  | 92.4  | mW  |
|                                  |  | $f_S = 96\text{kHz}$                 |     | 62.7  |       |     |
|                                  |  | $f_S = 192\text{kHz}$                |     | 66.0  |       |     |
|                                  | Power Dissipation, $DV_{DD} = 3.3\text{V}^{(4)}$   | $f_S = 48\text{kHz}$                 |     | 99.0  | 148.5 | mW  |
|                                  |  | $f_S = 96\text{kHz}$                 |     | 102.3 |       |     |
|                                  |  | $f_S = 192\text{kHz}$                |     | 105.6 |       |     |
|                                  | Power Dissipation, $DV_{DD} = 3.3\text{V}^{(6)}$   | $f_S = \text{n/a}$ (Power Down Mode) |     | 2.3   | 4.0   | mW  |

(4) Input is Bipolar Zero data.

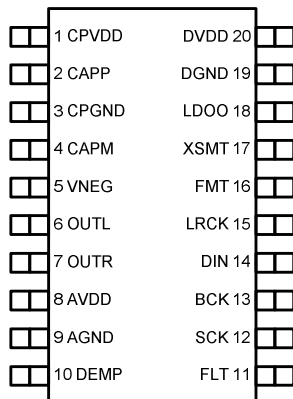
(5) Input is 1kHz -1dBFS data

(6) Power Down Mode

**DEVICE INFORMATION**

**TERMINAL FUNCTIONS, PCM510x**

**PCM510X (top view)**



**Table 2. TERMINAL FUNCTIONS, PCM510x**

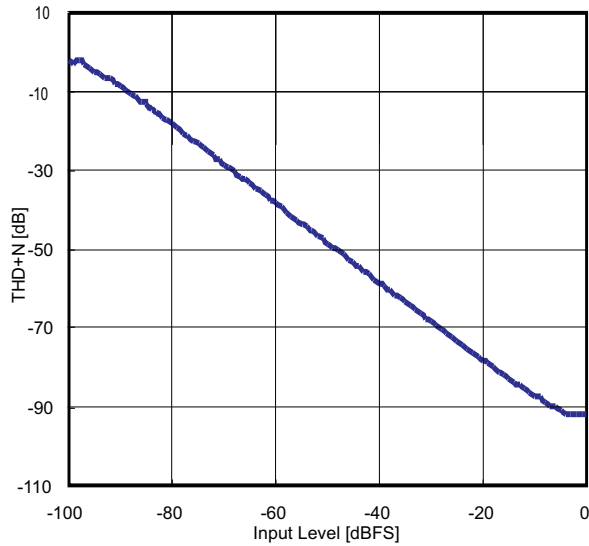
| TERMINAL |     | I/O | DESCRIPTION  |
|----------|-----|-----|--|
| NAME     | NO. |     |  |
| CPVDD    | 1   | -   | Charge pump power supply, 3.3V   |
| CAPP     | 2   | O   | Charge pump flying capacitor terminal for positive rail                              |
| CPGND    | 3   | -   | Charge pump ground   |
| CAPM     | 4   | O   | Charge pump flying capacitor terminal for negative rail                              |
| VNEG     | 5   | O   | Negative charge pump rail terminal for decoupling, -3.3V                             |
| OUTL     | 6   | O   | Analog output from DAC left channel  |
| OUTR     | 7   | O   | Analog output from DAC right channel   |
| AVDD     | 8   | -   | Analog power supply, 3.3V  |
| AGND     | 9   | -   | Analog ground  |
| DEMP     | 10  | I   | De-emphasis control for 44.1kHz sampling rate <sup>(1)</sup> : Off (Low) / On (High) |
| FLT      | 11  | I   | Filter select : Normal latency (Low) / Low latency (High)                            |
| SCK      | 12  | I   | System clock input   |
| BCK      | 13  | I   | Audio data bit clock input   |
| DIN      | 14  | I   | Audio data input   |
| LRCK     | 15  | I   | Audio data word clock input  |
| FMT      | 16  | I   | Audio format selection : I <sup>2</sup> S (Low) / Left justified (High)              |
| XSMT     | 17  | I   | Soft mute control : Soft mute (Low) / soft un-mute (High)                            |
| LDOO     | 18  | -   | Internal logic supply rail terminal for decoupling                                   |
| DGND     | 19  | -   | Digital ground   |
| DVDD     | 20  | -   | Digital power supply, 3.3V   |

(1) Failsafe LVCMOS Schmitt trigger input

**TYPICAL CHARACTERISTICS**

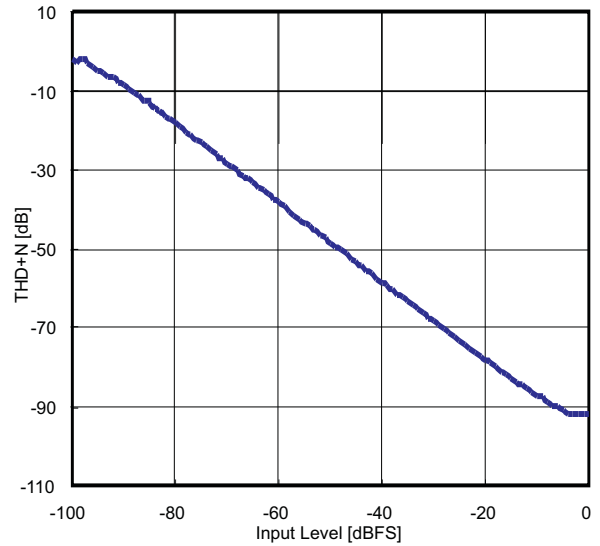
All specifications at  $T_A = 25^\circ\text{C}$ ,  $AV_{DD} = CPV_{DD} = DV_{DD} = 3.3\text{V}$ ,  $f_S = 48\text{kHz}$ , system clock =  $512 f_S$  and 24-bit data unless otherwise noted.

**PCM5100 THD+N vs  
vs  
Input Level**



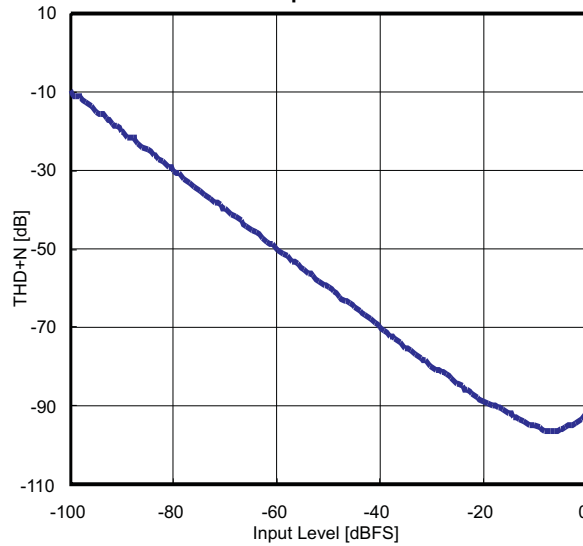
**Figure 2.**

**PCM5101 THD+N vs  
vs  
Input Level**



**Figure 3.**

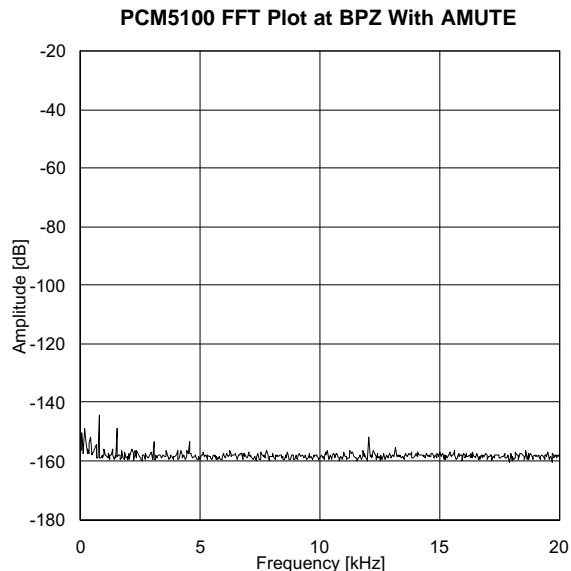
**PCM5102 THD+N vs  
vs  
Input Level**



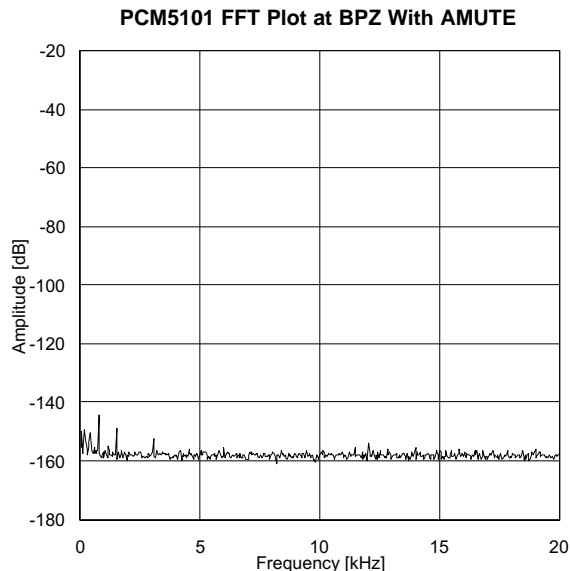
**Figure 4.**

**TYPICAL CHARACTERISTICS (continued)**

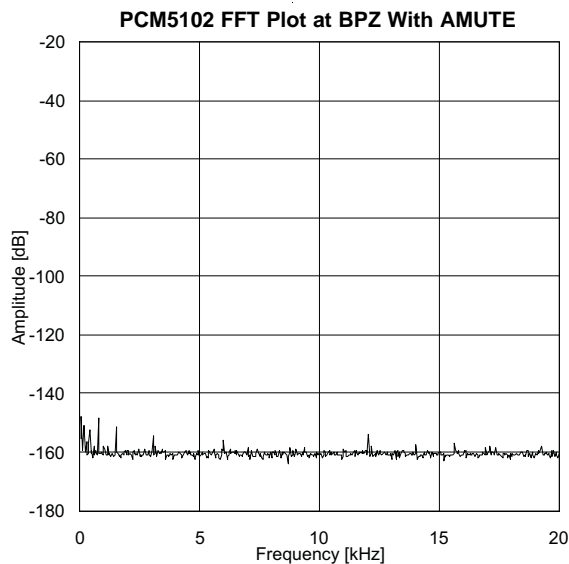
All specifications at  $T_A = 25^\circ\text{C}$ ,  $AV_{DD} = CPV_{DD} = DV_{DD} = 3.3\text{V}$ ,  $f_S = 48\text{kHz}$ , system clock =  $512 f_S$  and 24-bit data unless otherwise noted.



**Figure 5.**



**Figure 6.**

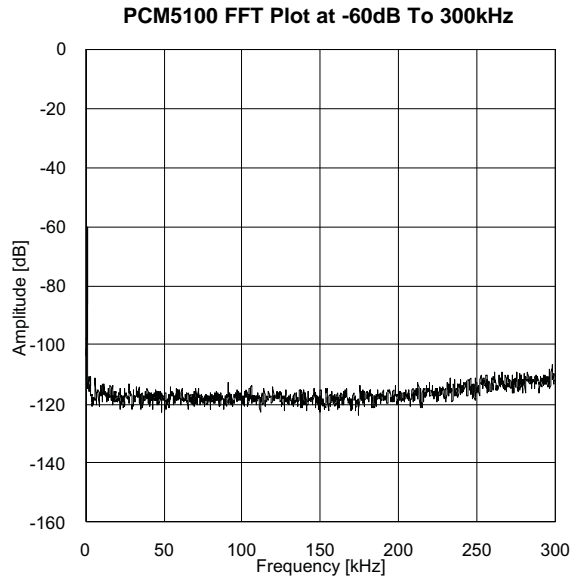


**Figure 7.**

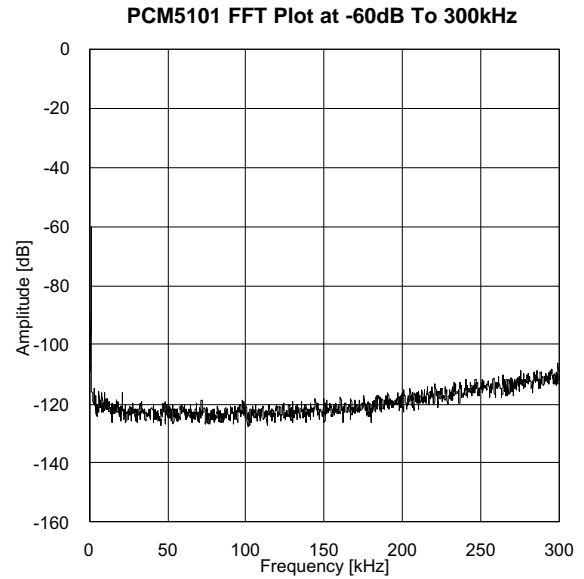


**TYPICAL CHARACTERISTICS (continued)**

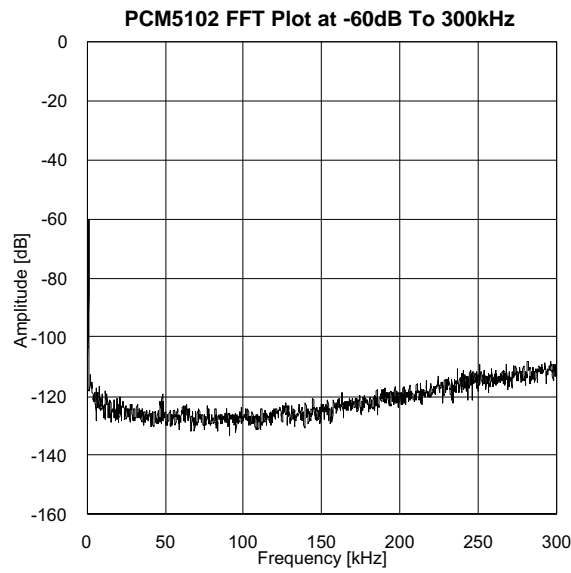
All specifications at  $T_A = 25^\circ\text{C}$ ,  $AV_{DD} = CPV_{DD} = DV_{DD} = 3.3\text{V}$ ,  $f_S = 48\text{kHz}$ , system clock =  $512 f_S$  and 24-bit data unless otherwise noted.



**Figure 8.**



**Figure 9.**



**Figure 10.**

## APPLICATION INFORMATION

### Reset and System Clock Functions

#### Power-On Reset Function

The PCM510x includes a power-on reset function shown in [Figure 11](#). With  $V_{DD} > 2.8V$ , the power-on reset function is enabled. After the initialization period, the PCM510x is set to its default reset state.

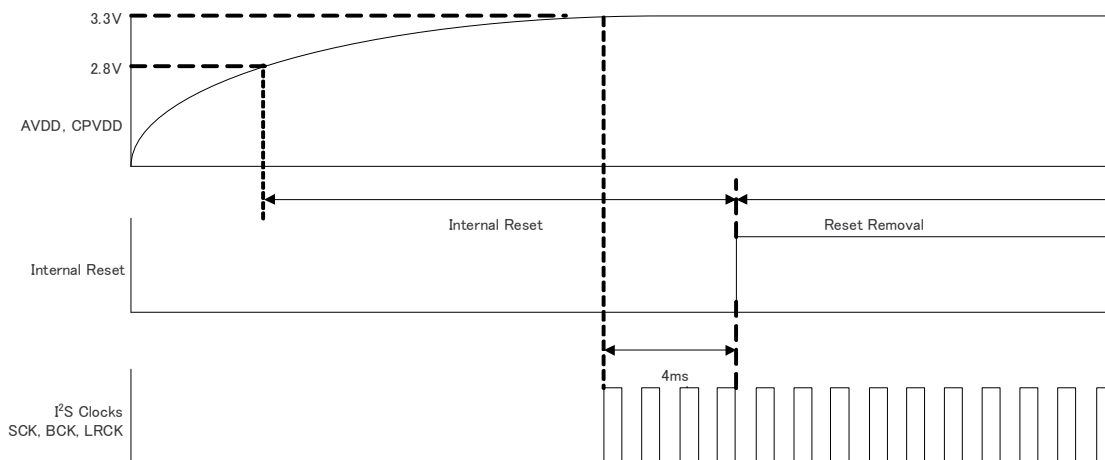


Figure 11. Power-On Reset Timing

### System Clock Input

The PCM510x requires a system clock for operating the digital interpolation filters and advanced segment DAC modulators. The system clock is applied at the SCK input (pin 12) and supports up to 50MHz. The PCM510x has a system clock detection circuit that automatically senses which frequency the system clock is operating. Common audio sampling frequencies of 8kHz, 16kHz, 32kHz - 44.1kHz - 48kHz, 88.2kHz - 96kHz, 176.4kHz -192kHz, and 384kHz with  $\pm 4\%$  tolerance are supported. The sampling frequency detector sets the clock for the digital filter, Delta Sigma Modulator (DSM) and the Negative Charge pump (NCP) automatically. Table 3 shows examples of system clock frequencies for common audio sampling rates.

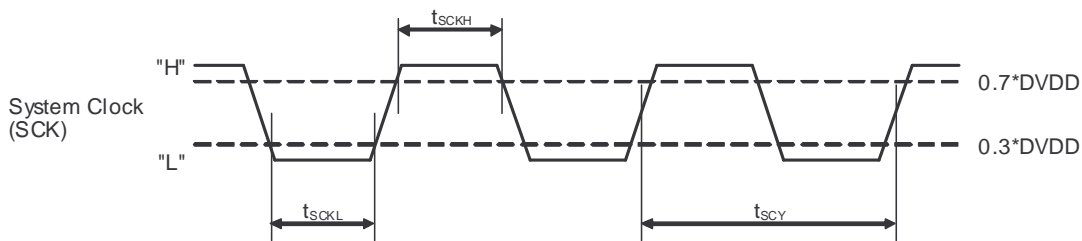
SCK rates that are not common to standard audio clocks, between 1MHz and 50MHz, are only supported in the PCM512x and PCM514x devices' software mode, by configuring various registers. This allows the device to become a clock master and drive the host's serial port with LRCK and BCK, from a non audio related clock (e.g. using 12MHz to generate 44.1kHz (LRCK) and 2.8224MHz (BCK) ).

Figure 12 shows the timing requirements for the system clock input. For optimal performance, it is important to use a clock source with low phase jitter and noise.

**Table 3. System Master Clock Inputs for Audio Related Clocks**

| Sampling Frequency | System Clock Frequency ( $f_{SCK}$ ) (MHz) |                        |                       |                  |                  |                  |                  |                  |                  |                  |                  |                  |
|--------------------|--|------------------------|-----------------------|------------------|------------------|------------------|------------------|------------------|------------------|------------------|------------------|------------------|
|                    | $64 f_s$                                   | $128 f_s$              | $192 f_s$             | $256 f_s$        | $384 f_s$        | $512 f_s$        | $768 f_s$        | $1024 f_s$       | $1152 f_s$       | $1536 f_s$       | $2048 f_s$       | $3072 f_s$       |
| 8 kHz              | – <sup>(1)</sup>                           | 1.0240 <sup>(2)</sup>  | 1.5360 <sup>(2)</sup> | 2.0480           | 3.0720           | 4.0960           | 6.1440           | 8.1920           | 9.2160           | 12.2880          | 16.3840          | 24.5760          |
| 16 kHz             | – <sup>(1)</sup>                           | 2.0480 <sup>(2)</sup>  | 3.0720 <sup>(2)</sup> | 4.0960           | 6.1440           | 8.1920           | 12.2880          | 16.3840          | 18.4320          | 24.5760          | 36.8640          | 49.1520          |
| 32 kHz             | – <sup>(1)</sup>                           | 4.0960 <sup>(2)</sup>  | 6.1440 <sup>(2)</sup> | 8.1920           | 12.2880          | 16.3840          | 24.5760          | 32.7680          | 36.8640          | 49.1520          | – <sup>(1)</sup> | – <sup>(1)</sup> |
| 44.1 kHz           | – <sup>(1)</sup>                           | 5.6488 <sup>(2)</sup>  | 8.4672 <sup>(2)</sup> | 11.2896          | 16.9344          | 22.5792          | 33.8688          | 45.1584          | – <sup>(1)</sup> | – <sup>(1)</sup> | – <sup>(1)</sup> | – <sup>(1)</sup> |
| 48 kHz             | – <sup>(1)</sup>                           | 6.1440 <sup>(2)</sup>  | 9.2160 <sup>(2)</sup> | 12.2880          | 18.4320          | 24.5760          | 36.8640          | 49.1520          | – <sup>(1)</sup> | – <sup>(1)</sup> | – <sup>(1)</sup> | – <sup>(1)</sup> |
| 88.2 kHz           | – <sup>(1)</sup>                           | 11.2896 <sup>(2)</sup> | 16.9344               | 22.5792          | 33.8688          | 45.1584          | – <sup>(1)</sup> | – <sup>(1)</sup> | – <sup>(1)</sup> | – <sup>(1)</sup> | – <sup>(1)</sup> | – <sup>(1)</sup> |
| 96 kHz             | – <sup>(1)</sup>                           | 12.2880 <sup>(2)</sup> | 18.4320               | 24.5760          | 36.8640          | 49.1520          | – <sup>(1)</sup> | – <sup>(1)</sup> | – <sup>(1)</sup> | – <sup>(1)</sup> | – <sup>(1)</sup> | – <sup>(1)</sup> |
| 176.4 kHz          | – <sup>(1)</sup>                           | 22.5792                | 33.8688               | 45.1584          | – <sup>(1)</sup> | – <sup>(1)</sup> | – <sup>(1)</sup> | – <sup>(1)</sup> | – <sup>(1)</sup> | – <sup>(1)</sup> | – <sup>(1)</sup> | – <sup>(1)</sup> |
| 192 kHz            | – <sup>(1)</sup>                           | 24.5760                | 36.8640               | 49.1520          | – <sup>(1)</sup> | – <sup>(1)</sup> | – <sup>(1)</sup> | – <sup>(1)</sup> | – <sup>(1)</sup> | – <sup>(1)</sup> | – <sup>(1)</sup> | – <sup>(1)</sup> |
| 384 kHz            | 24.5760                                    | 49.1520                | – <sup>(1)</sup>      | – <sup>(1)</sup> | – <sup>(1)</sup> | – <sup>(1)</sup> | – <sup>(1)</sup> | – <sup>(1)</sup> | – <sup>(1)</sup> | – <sup>(1)</sup> | – <sup>(1)</sup> | – <sup>(1)</sup> |

- (1) This system clock rate is not supported for the given sampling frequency.
- (2) This system clock rate is supported by PLL mode.



**Figure 12. Timing Requirements for SCK Input**

**Table 4. Timing Requirements for SCK Input**

|            | Parameters                     | Min | Max  | Unit |
|------------|--------------------------------|-----|------|------|
| $t_{SCY}$  | System clock pulse cycle time  | 20  | 1000 | ns   |
| $t_{SCKH}$ | System clock pulse width, High | 8   |      | ns   |
| $t_{SCKL}$ | System clock pulse width, Low  | 8   |      | ns   |

## System Clock PLL mode

The system clock PLL mode allows designers to use a simple 3 wire I<sup>2</sup>S audio source when driving the DAC. This reduces the need for a high frequency SCK, making PCB layout easier, and reduces high frequency electromagnetic interference.

The device starts up expecting an external SCK input, but if BCK and LRCK start correctly without SCK for 16 successive LRCK periods, then the internal PLL will start to generate internal SCK from BCK reference automatically. In the PCM510x, the internal PLL is disabled when an external SCK is supplied; specific BCK rates are required to generate an appropriate master clock.

Table 5 describes the minimum and maximum BCK per LRCK for the integrated PLL to automatically generate an internal SCK.

**Table 5. BCK Rates (MHz) by LRCK Sample Rate for PCM510x PLL Operation**

| Sample f (kHz) | BCK (f <sub>s</sub> ) |        |        |
|----------------|-----------------------|--------|--------|
|                | 32                    | 48     | 64     |
| 8              | -                     | -      | -      |
| 16             | -                     | -      | 1.024  |
| 32             | 1.024                 | 1.536  | 2.048  |
| 44.1           | 1.4112                | 2.1168 | 2.8224 |
| 48             | 1.536                 | 2.304  | 3.072  |
| 96             | 3.072                 | 4.608  | 6.144  |
| 192            | 6.144                 | 9.216  | 12.288 |
| 384            | 12.288                | 18.432 | 24.576 |

## Audio Data Interface

### Audio Serial Interface

The audio interface port is a 3-wire serial port. It includes LRCK (pin 15), BCK (pin 13), and DIN (pin 14). BCK is the serial audio bit clock, and it is used to clock the serial data present on DIN into the serial shift register of the audio interface. Serial data is clocked into the PCM510x on the rising edge of BCK. LRCK is the serial audio left/right word clock.

**Table 6. PCM510x Audio Data Formats, Bit Depths and Clock Rates**

| CONTROL MODE     | FORMAT              | DATA BITS      | MAX LRCK FREQUENCY [f <sub>s</sub> ] | SCK RATE [x f <sub>s</sub> ] | BCK RATE [x f <sub>s</sub> ] |
|------------------|---------------------|----------------|--------------------------------------|------------------------------|------------------------------|
| Hardware Control | I <sup>2</sup> S/LJ | 32, 24, 20, 16 | Up to 192kHz                         | 128 – 3072 (≤50MHz)          | 64, 48, 32                   |
|                  |                     |                | 384kHz                               | 64, 128                      | 64, 48, 32                   |

The PCM510x requires the synchronization of LRCK and system clock, but does not need a specific phase relation between LRCK and system clock.

If the relationship between LRCK and system clock changes more than ±5 SCK, internal operation is initialized within one sample period and analog outputs are forced to the bipolar zero level until resynchronization between LRCK and system clock is completed.

If the relationship between LRCK and BCK are invalid more than 4 LRCK periods, internal operation is initialized within one sample period and analog outputs are forced to the bipolar zero level until resynchronization between LRCK and BCK is completed.

### PCM Audio Data Formats and Timing

The PCM510x supports industry-standard audio data formats, including standard I<sup>2</sup>S and left-justified. Data formats are selected using the FMT (pin 16), Low for I<sup>2</sup>S, and High for Left-justified.

All formats require binary 2s complement, MSB-first audio data. Figure 13 shows a detailed timing diagram for the serial audio interface.

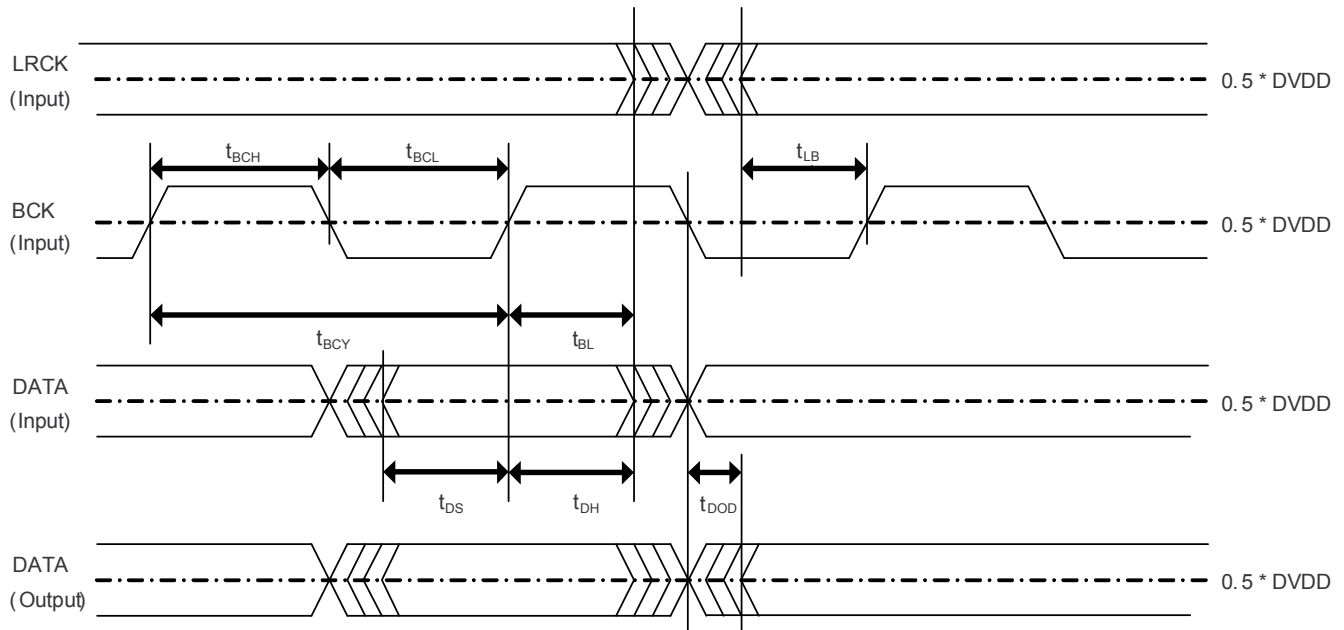


Figure 13. PCM510x Serial Audio Timing - Slave

Table 7. Audio Interface Slave Timing

|           | Parameters                   | Min | Max | Units |
|-----------|------------------------------|-----|-----|-------|
| $t_{BCY}$ | BCK Pulse Cycle Time         | 40  |     | ns    |
| $t_{BCL}$ | BCK Pulse Width LOW          | 16  |     | ns    |
| $t_{BCH}$ | BCK Pulse Width HIGH         | 16  |     | ns    |
| $t_{BL}$  | BCK Rising Edge to LRCK Edge | 8   |     | ns    |
| $t_{LB}$  | LRCK Edge to BCK Rising Edge | 8   |     | ns    |
| $t_{DS}$  | DATA Set Up Time             | 8   |     | ns    |
| $t_{DH}$  | DATA Hold Time               | 8   |     | ns    |

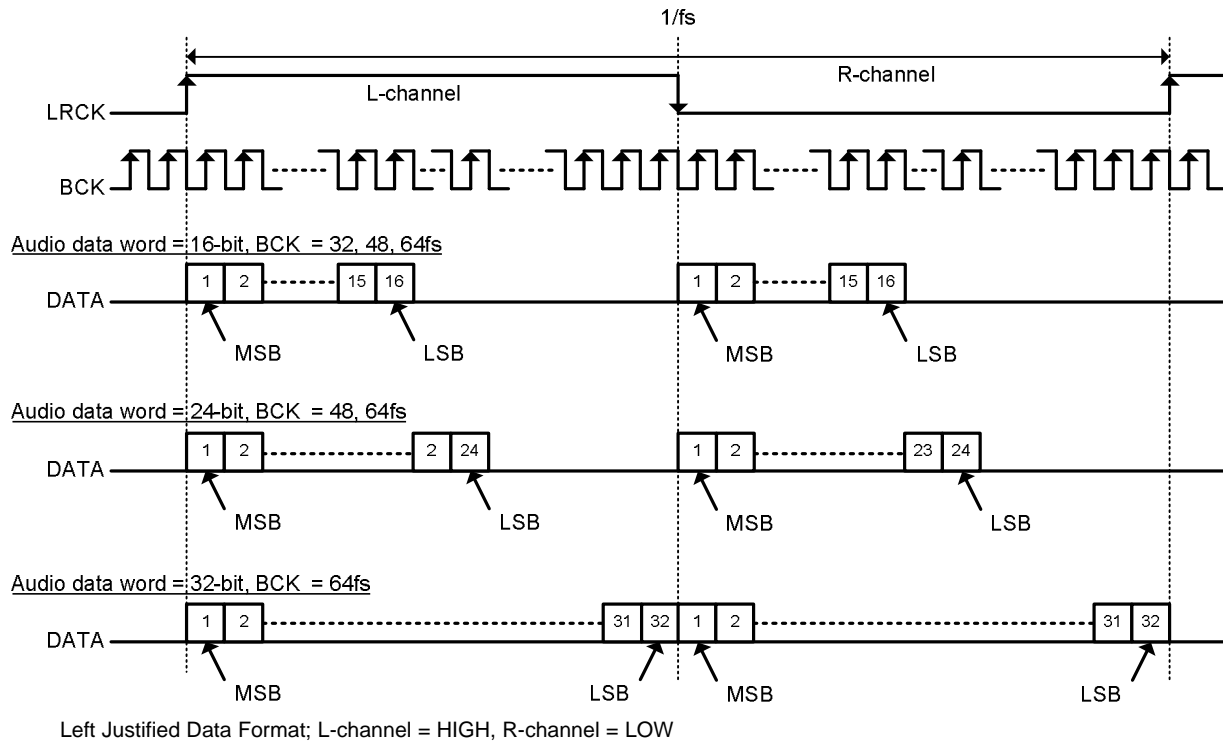


Figure 14. Left Justified Audio Data Format

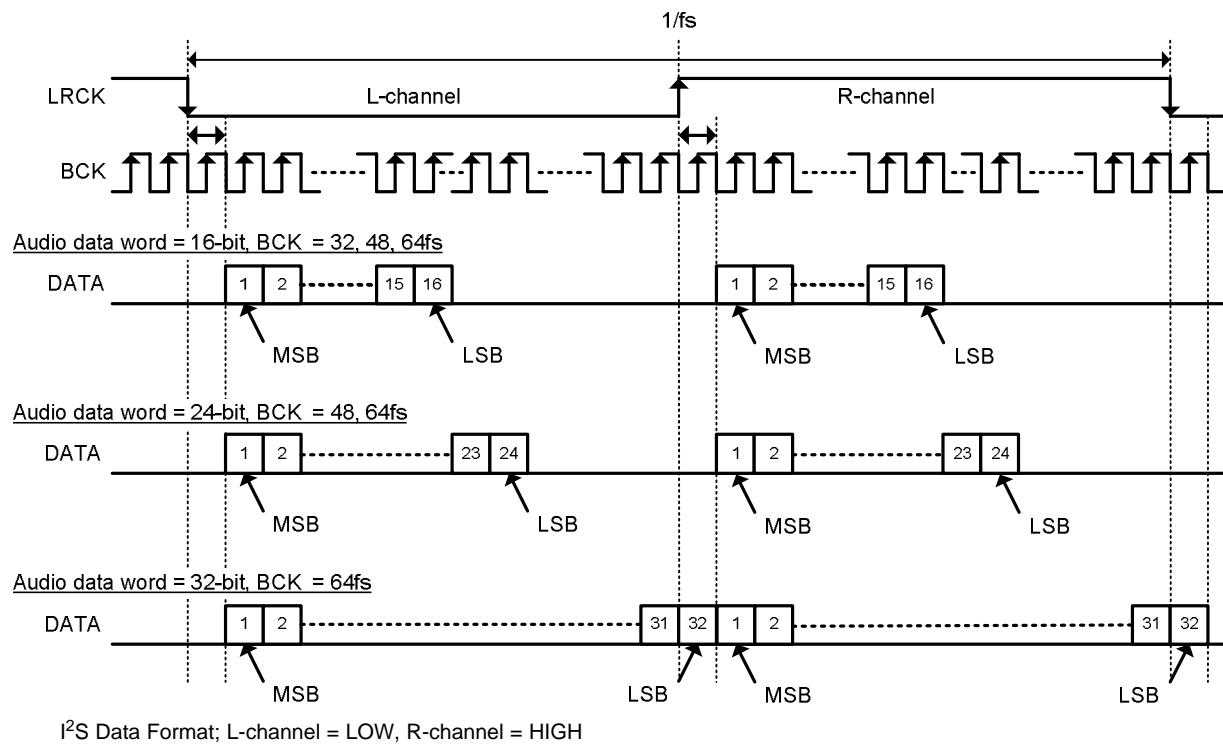


Figure 15. I<sup>2</sup>S Audio Data Format

## Function Descriptions

### Interpolation Filter

The PCM510x provides 2 types of interpolation filter. Users can select which filter to use by using the FLT pin (pin11)

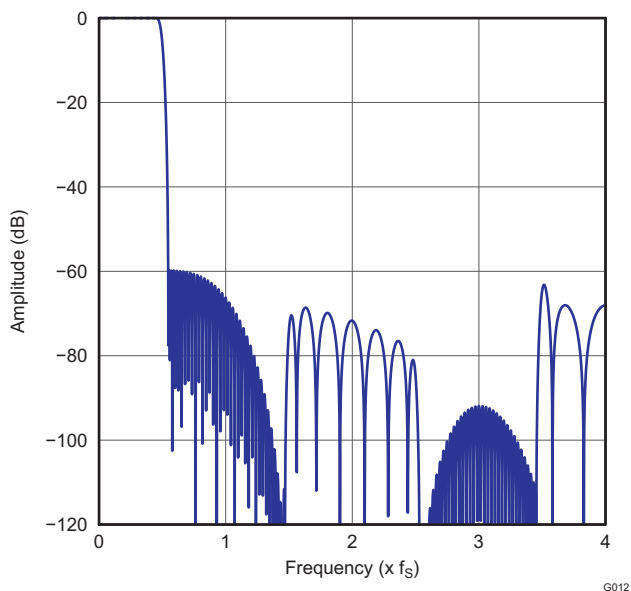
**Table 8. Digital Interpolation Filter Options**

| FLT Pin | Description                                       |
|---------|---|
| 0       | FIR Normal x8/x4/x2/x1 Interpolation Filters      |
| 1       | IIR Low Latency x8/x4/x2/x1 Interpolation Filters |

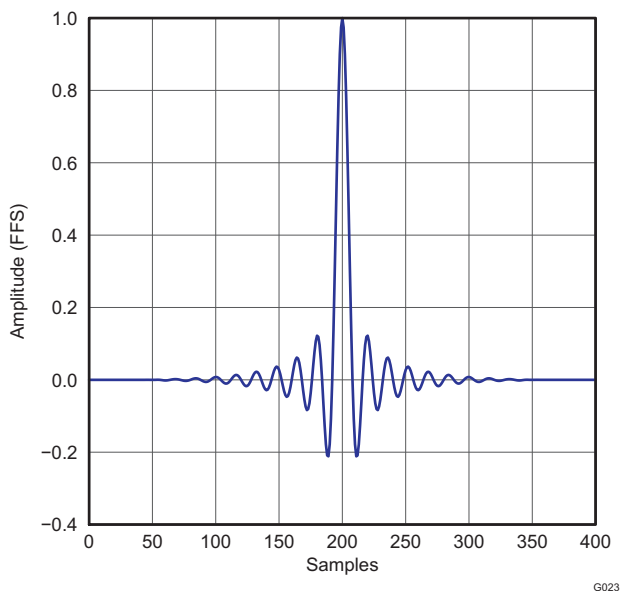
The Normal x8 / x4 / x2 / x1(bypass) Interpolation filter is programmed in 256 cycles in 1 sampling frequency (FS) for from 8kHz to 384kHz.

**Table 9. Normal x8 Interpolation Filter**

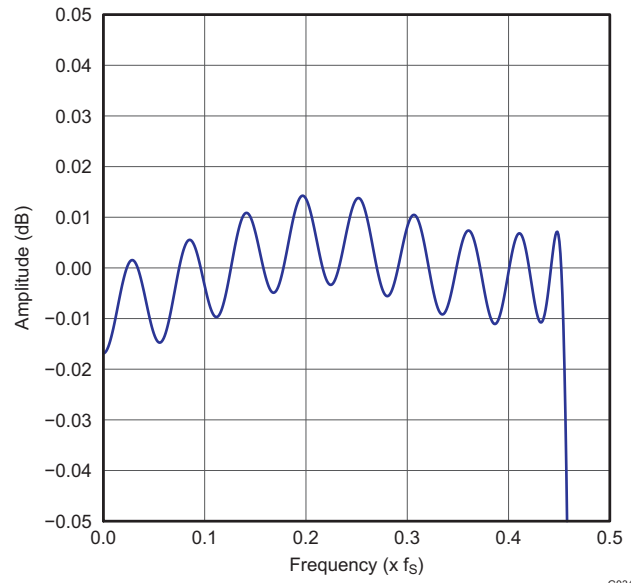
| Parameter             | Condition            | Value (Typ) | Value (Max) | Units |
|-----------------------|----------------------|-------------|-------------|-------|
| Filter Gain Pass Band | 0 ..... 0.45Fs       |             | ±0.02       | dB    |
| Filter Gain Stop Band | 0.55Fs ..... 7.455Fs | -60         |             | dB    |
| Filter Group Delay    |                      | 22/Fs       |             | s     |



**Figure 16. Normal x8 Interpolation Filter Frequency Response**



**Figure 17. Normal x8 Interpolation Filter Impulse Response**



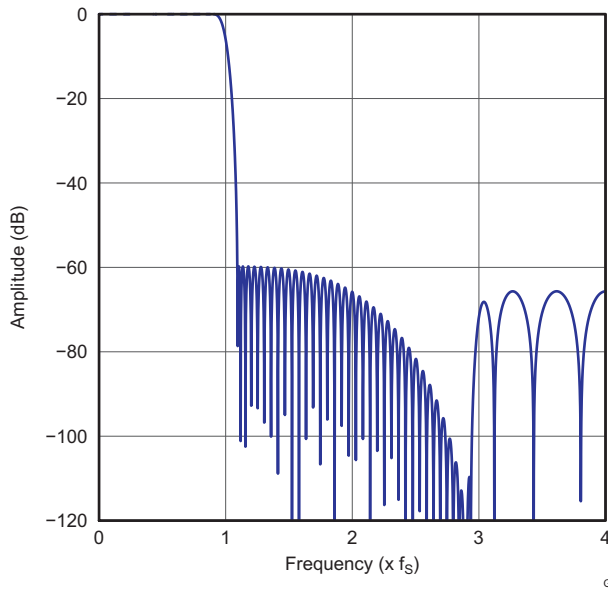
**Figure 18. Normal x8 Interpolation Filter Passband Ripple**



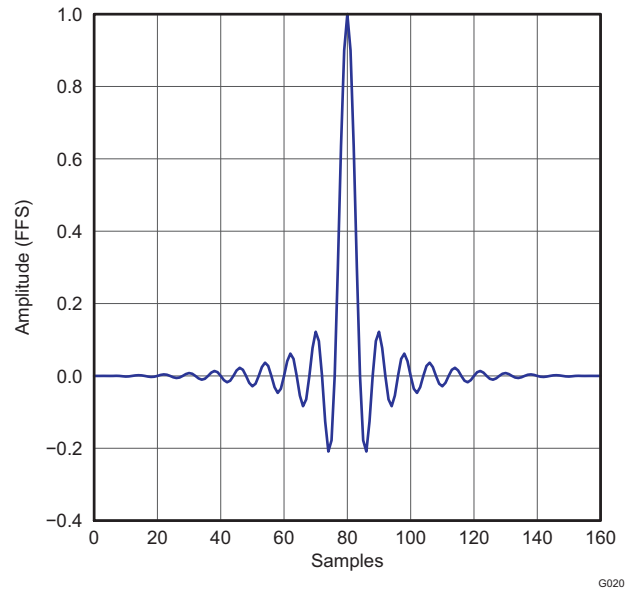
The Normal x4 / x2 / x1(bypass) Interpolation filter is programmed in 256 cycles in 1 sampling frequency (FS) for from 8kHz to 384kHz.

**Table 10. Normal x4 Interpolation Filter**

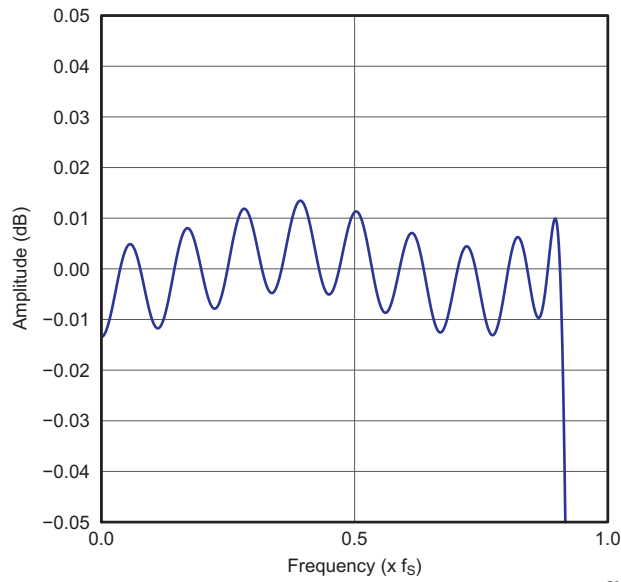
| Parameter             | Condition            | Value (Typ) | Value (Max) | Units |
|-----------------------|----------------------|-------------|-------------|-------|
| Filter Gain Pass Band | 0 ..... 0.45Fs       |             | ±0.02       | dB    |
| Filter Gain Stop Band | 0.55Fs ..... 7.455Fs | -60         |             | dB    |
| Filter Group Delay    |                      | 22/Fs       |             | s     |



**Figure 19. Normal x4 Interpolation Filter Frequency Response**



**Figure 20. Normal x4 Interpolation Filter Impulse Response**

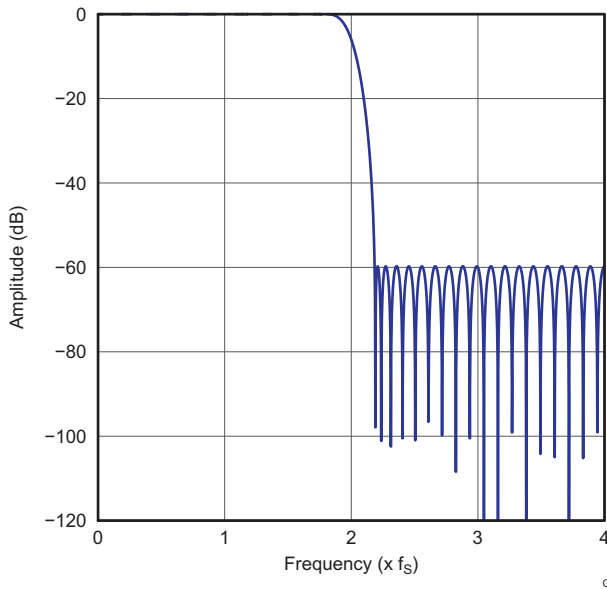


**Figure 21. Normal x4 Interpolation Filter Passband Ripple**

Normal x2 / x1(bypass) Interpolation filter is programmed in 256 cycles in 1 sampling frequency (FS) for from 8kHz to 384kHz.

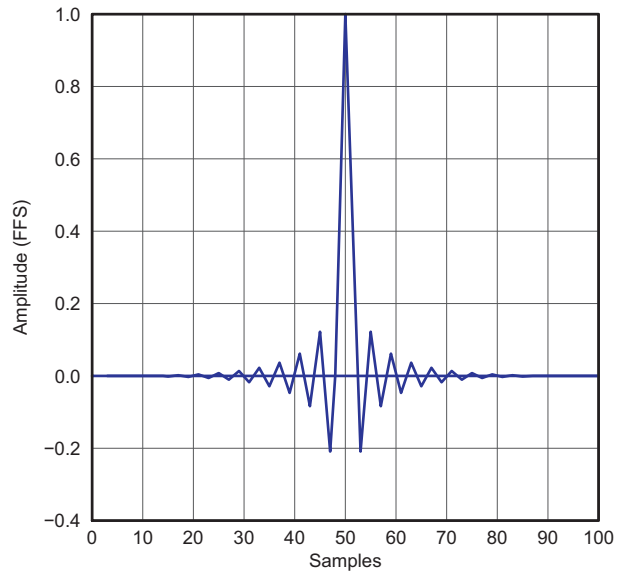
**Table 11. Normal x2 Interpolation Filter**

| Parameter             | Condition            | Value (Typ) | Value (Max) | Units |
|-----------------------|----------------------|-------------|-------------|-------|
| Filter Gain Pass Band | 0 ..... 0.45Fs       |             | ±0.02       | dB    |
| Filter Gain Stop Band | 0.55Fs ..... 7.455Fs | -60         |             | dB    |
| Filter Group Delay    |                      | 22/Fs       |             | s     |



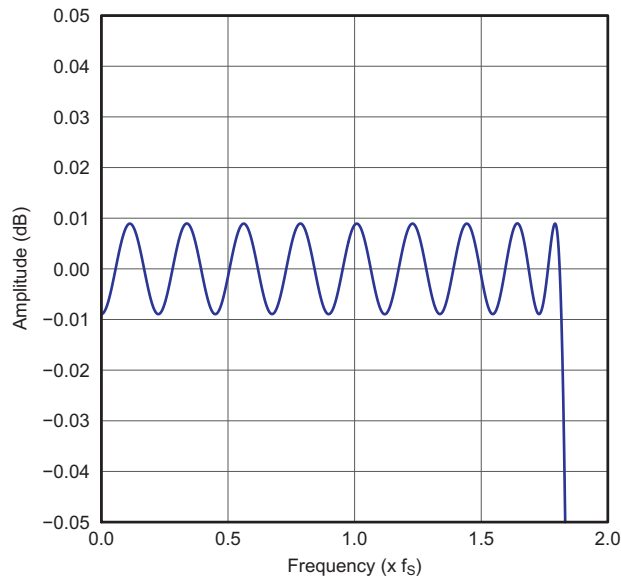
G006

**Figure 22. Normal x2 Interpolation Filter Frequency Response**



G017

**Figure 23. Normal x2 Interpolation Filter Impulse Response**



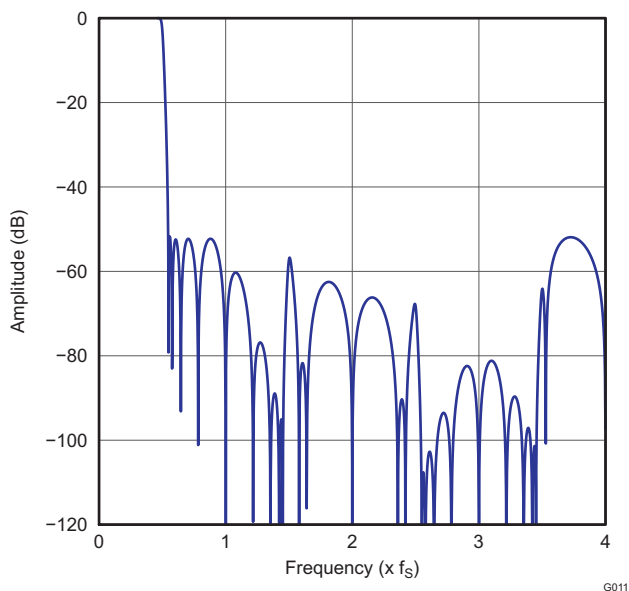
G028

**Figure 24. Normal x2 Interpolation Filter Passband Ripple**

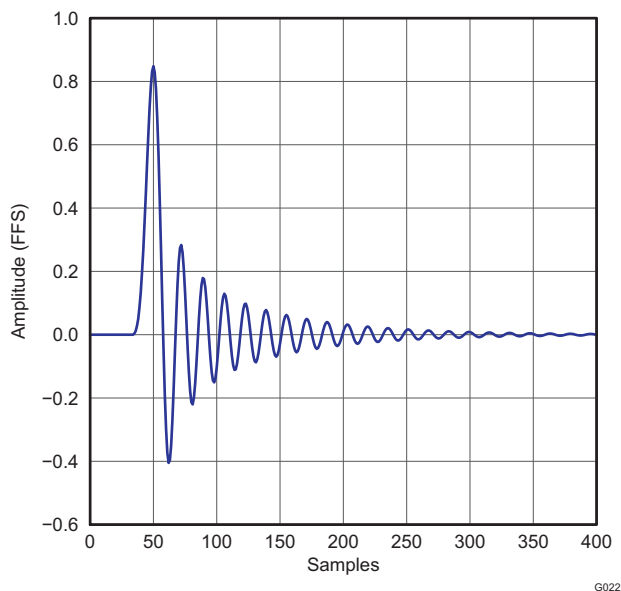
The low-latency x8 / x4 / x2 / x1(bypass) Interpolation filter is programmed in 256 cycles in 1 FS for from 8kHz to 384kHz.

**Table 12. Low latency x8 Interpolation Filter**

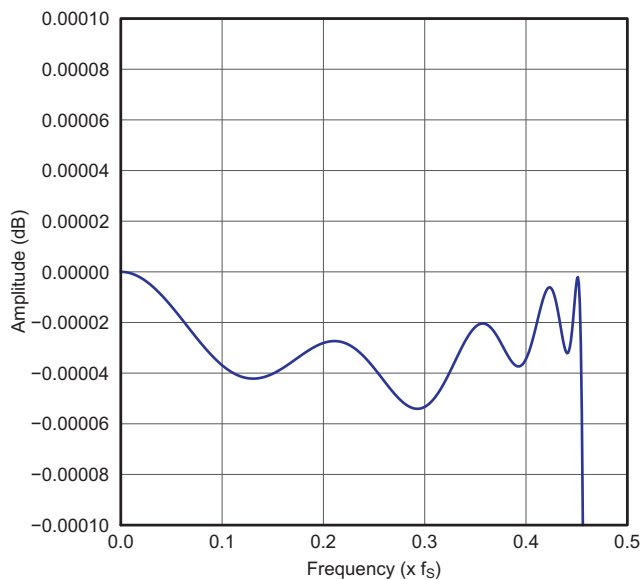
| Parameter             | Condition            | Value (Typ) | Units |
|-----------------------|----------------------|-------------|-------|
| Filter Gain Pass Band | 0 ..... 0.45Fs       | ±0.0001     | dB    |
| Filter Gain Stop Band | 0.55Fs ..... 7.455Fs | -52         | dB    |
| Filter Group Delay    |                      | 3.5/Fs      | s     |



**Figure 25. Low latency x8 Interpolation Filter Frequency Response**



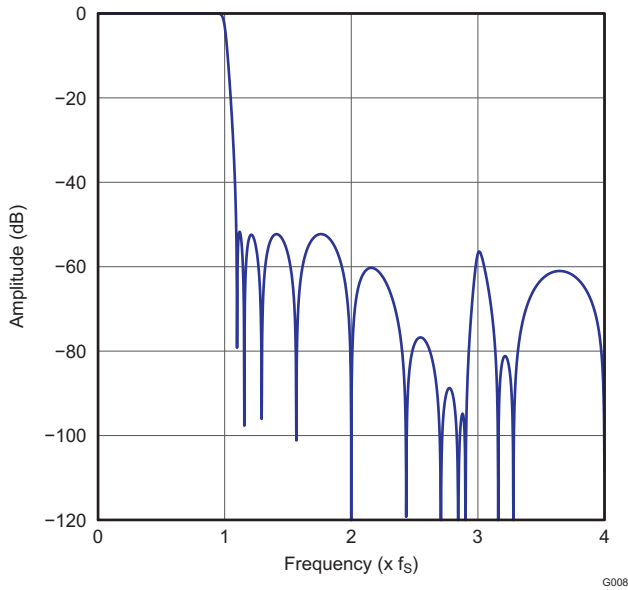
**Figure 26. Low latency x8 Interpolation Filter Impulse Response**



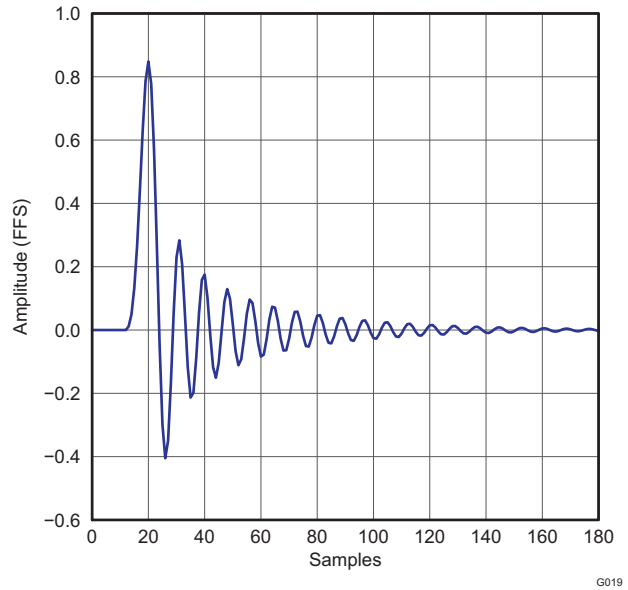
**Figure 27. Low latency x8 Interpolation Filter Passband Ripple**

**Table 13. Low latency x4 Interpolation Filter**

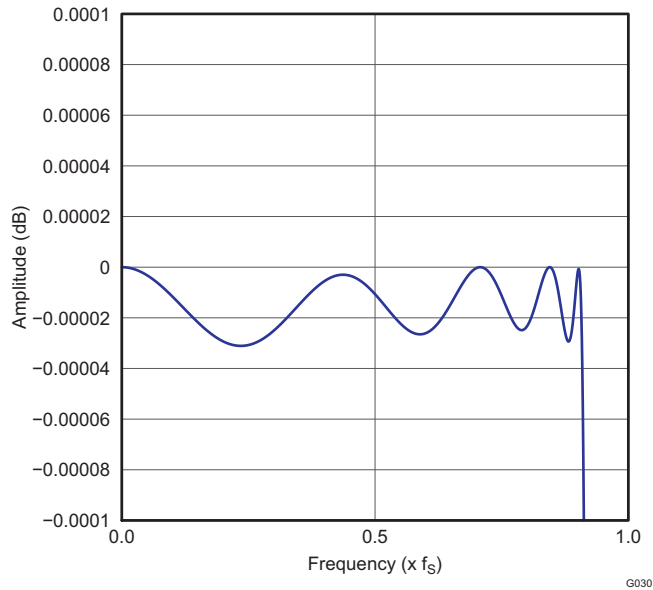
| Parameter             | Condition            | Value (Typ) | Units |
|-----------------------|----------------------|-------------|-------|
| Filter Gain Pass Band | 0 ..... 0.45Fs       | ±0.0001     | dB    |
| Filter Gain Stop Band | 0.55Fs ..... 3.455Fs | -52         | dB    |
| Filter Group Delay    |                      | 3.5         | s     |



**Figure 28. Low latency x4 Interpolation Filter Frequency Response**



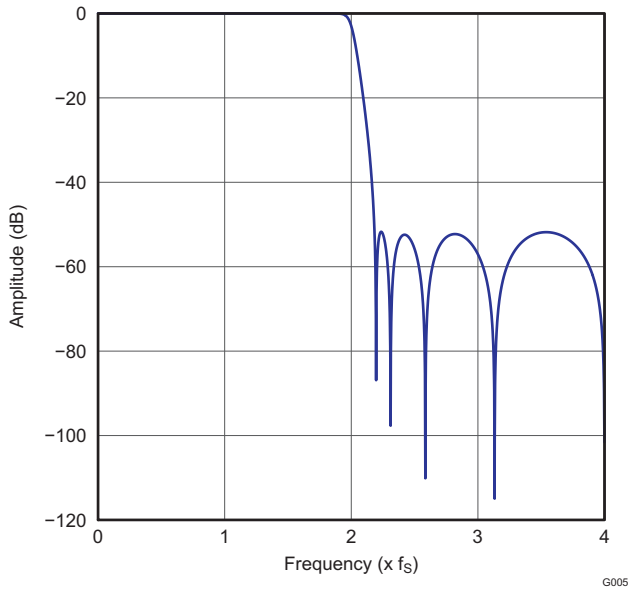
**Figure 29. Low latency x4 Interpolation Filter Impulse Response**



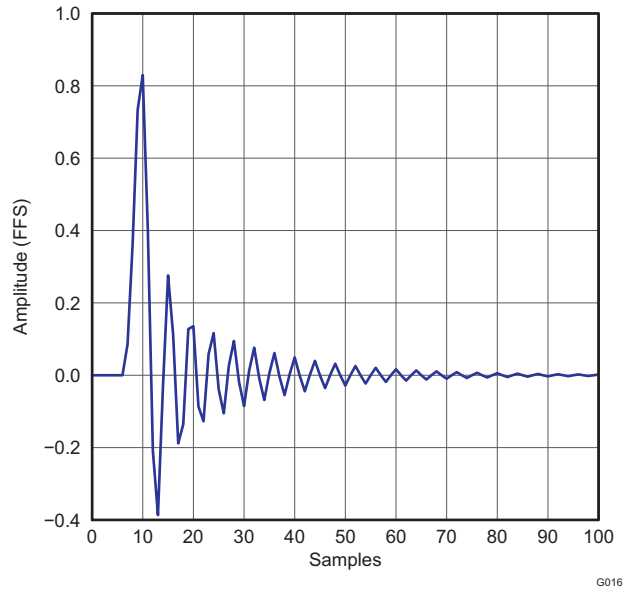
**Figure 30. Low latency x4 Interpolation Filter Passband Ripple**

**Table 14. Low latency x2 Interpolation Filter**

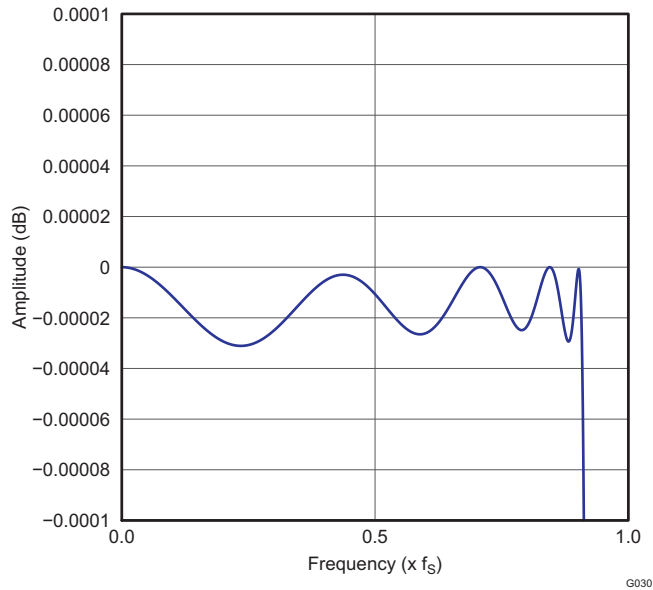
| Parameter             | Condition            | Value (Typ) | Units |
|-----------------------|----------------------|-------------|-------|
| Filter Gain Pass Band | 0 ..... 0.45Fs       | ±0.0001     | dB    |
| Filter Gain Stop Band | 0.55Fs ..... 1.455Fs | -52         | dB    |
| Filter Group Delay    |                      | 3.5         | s     |



**Figure 31. Low latency x2 Interpolation Filter Frequency Response**



**Figure 32. Low latency x2 Interpolation Filter Impulse Response**



**Figure 33. Low latency x2 Interpolation Filter Passband Ripple**

### Zero Data Detect

The PCM510x has a zero-data detect function. When the device detects continuous zero data, it will do a full analog mute.

The PCM510x counts zero data over 1024LRCK's (21ms @ 48kHz) before setting analog mute.

### Power Save Mode

When any kind of clock error (SCK, BCK, and LRCK) or clock halt is detected, the PCM510x will move into Stand-by mode automatically. The Current segment DAC and Line driver will also be powered down.

When BCK and LRCK halt to a low level for more than 1 second, the PCM510x will go into Power down mode automatically. Power-down mode includes the negative charge pump and Bias/Reference circuit power-down in addition to stand-by.

Whenever expected Audio clocks (SCK, BCK, LRCK) are applied to the PCM510x, the device starts its powerup sequence automatically.

### XSMT Pin (Soft Mute / Soft Un-Mute)

For external digital control of the PCM510x, the XSMT pin needs to be driven by an external digital host with a specific/minimum rising time ( $t_r$ ) and falling time ( $t_f$ ) for soft mute and soft un-mute. The PCM510x expects  $t_r/t_f$  times of less than 20ns. In the majority of applications, this shouldn't be a problem, however, traces with high capacitance may have issues.

When the XSMT pin is shifted from high to low (3.3V to 0V), a soft digital attenuation ramp is started. -1dB attenuation will be applied every  $1f_s$  from 0dBFS to  $-\infty$ . This takes 104 sample times.

When the XSMT pin is shifted from low to high (0V to 3.3V), a soft digital "un-mute" is started. 1dB gain steps are applied every FS from  $-\infty$  to 0dBFS. This takes 104 sample times.

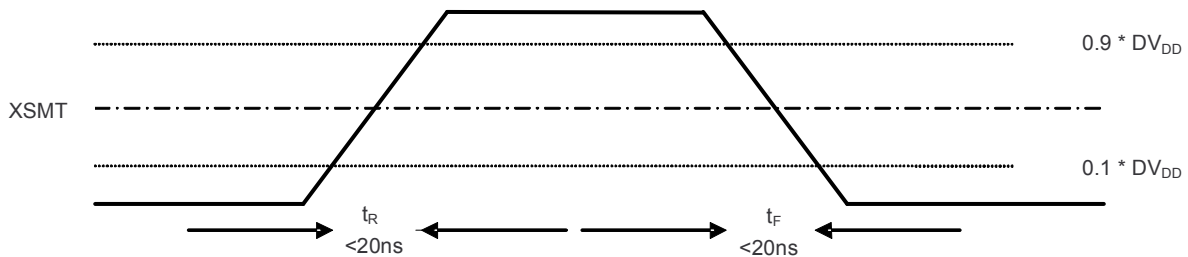


Figure 34. XSMT Timing for Soft Mute and Soft Un-Mute

Table 15. XSMT Timing Parameters

| Parameters          | Min | Max | Unit |
|---------------------|-----|-----|------|
| Rise time ( $t_R$ ) |     | 20  | ns   |
| Fall time ( $t_F$ ) |     | 20  | ns   |

### External Power Sense Undervoltage Protection mode

The XSMT pin can also be used to monitor a system voltage, such as the 24VDC LCD TV backlight, or 12VDC system supply using a potential divider created with two resistors. (See [Figure 35](#) )

- If the XSMT pin makes a transition from “1” to “0” over 6ms or more, the device will switch into external under-voltage protection mode. In this mode, two trigger levels are used.
- When XSMT pin level reaches 2V, soft mute process begins.
- When XSMT pin level reaches 1.2V, analog mute will engage, regardless of digital audio level, and analog shut down will begin. (i.e. DAC circuitry will power down etc).

A timing diagram to show this is shown in [Figure 36](#).

#### NOTE

The XSMT input pins voltage range is from -0.3V to DVDD + 0.3V. The ratio of external resistors must be considered within this input range. Any increase in power supply (such as power supply positive noise/ripple) can pull the XSMT pin higher than DVDD+0.3V.

For example, if the PCM510x is monitoring a 12V input, and dividing the voltage by 4, then the voltage at XSMT during ideal power supply conditions will be 3V. If the voltage spikes any higher than 14.4V, then XSMT will see a voltage in excess of 3.6V (DVDD+0.3), potentially damaging the device.

Providing the divider is set appropriately, any DC voltage can be monitored.

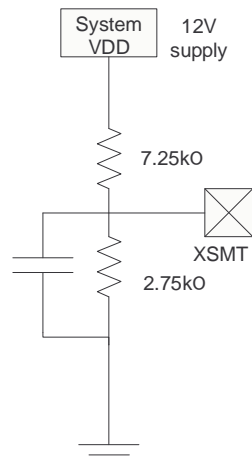


Figure 35. XSMT in External UVP Mode

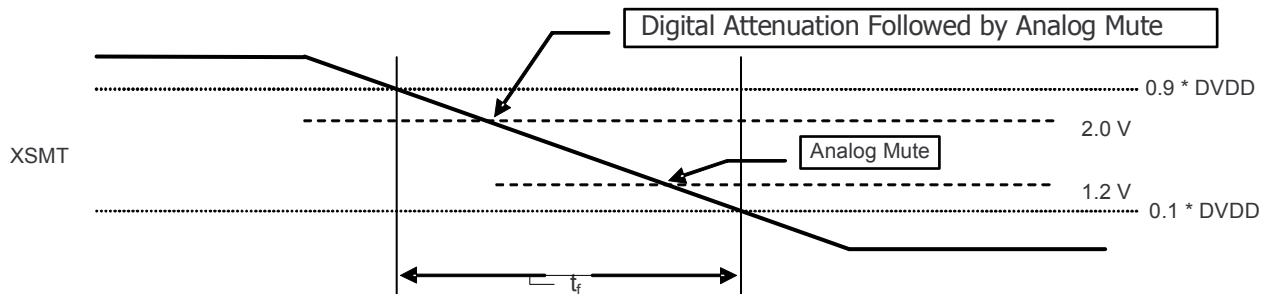


Figure 36. XSMT Timing for Undervoltage Protection

Typical Application Circuits

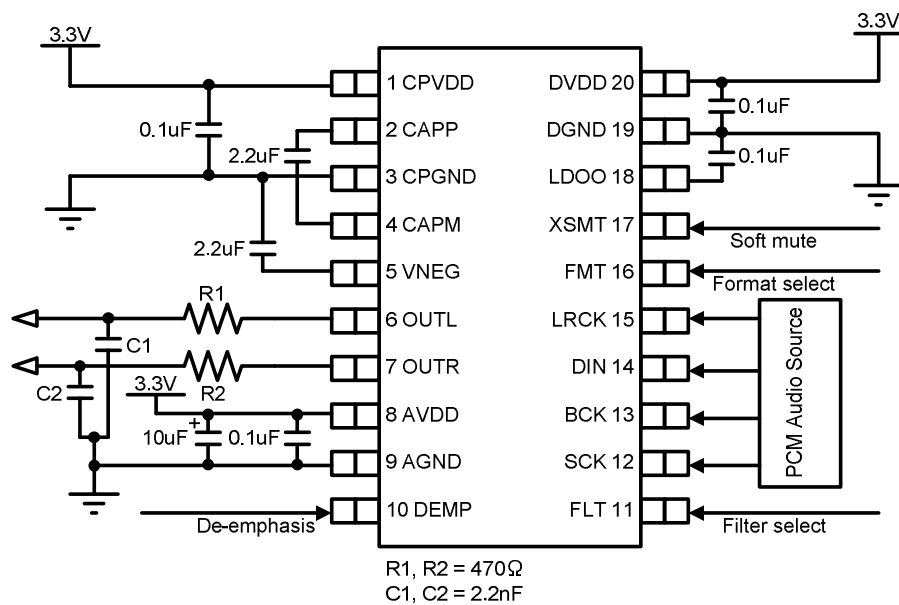


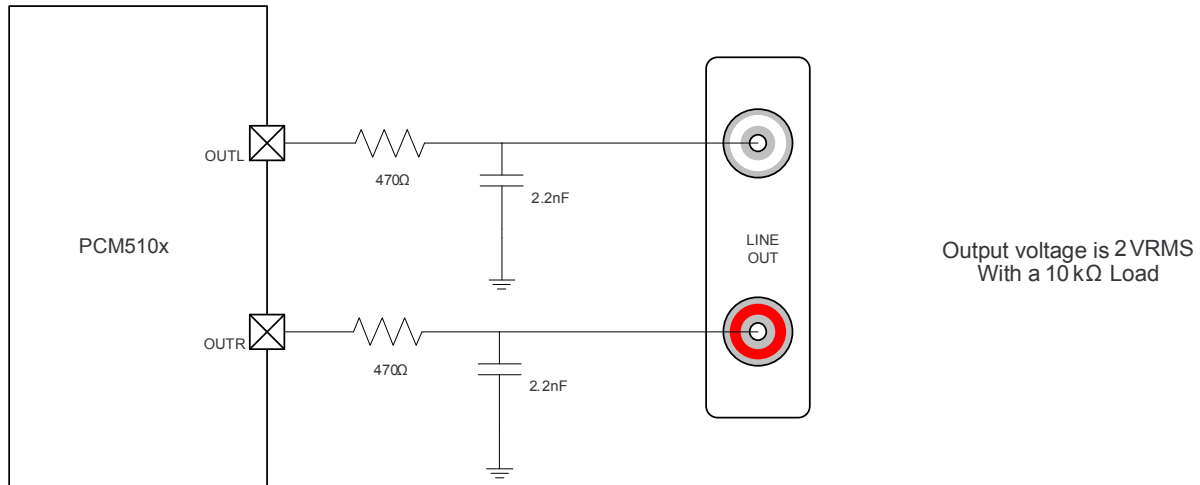
Figure 37. PCM510x Standard PCM Audio Operation, 3.3V



### Recommended Output Filter for the PCM510x

The diagram in [Figure 38](#) shows the recommended output filter for the PCM510x. The new PCM510x next generation current segment architecture offers excellent out of band noise, making a traditional 20kHz low pass filter a thing of the past.

The RC settings below offer a -3dB filter point at 153kHz (approx), giving the DAC the ability to reproduce virtually all frequencies through to it's maximum sampling rate of 384kHz.



**Figure 38. Recommended Output Lowpass Filter for 10kΩ Operation**

**PACKAGING INFORMATION**

| Orderable Device | Status <sup>(1)</sup> | Package Type | Package Drawing | Pins | Package Qty | Eco Plan <sup>(2)</sup>    | Lead/<br>Ball Finish | MSL Peak Temp <sup>(3)</sup> | Samples<br>(Requires Login) |
|------------------|-----------------------|--------------|-----------------|------|-------------|----------------------------|----------------------|------------------------------|-----------------------------|
| PCM5100PW        | ACTIVE                | TSSOP        | PW              | 20   | 70          | Green (RoHS<br>& no Sb/Br) | CU NIPDAU            | Level-1-260C-UNLIM           |                             |
| PCM5100PWR       | ACTIVE                | TSSOP        | PW              | 20   | 2000        | Green (RoHS<br>& no Sb/Br) | CU NIPDAU            | Level-1-260C-UNLIM           |                             |
| PCM5101PW        | ACTIVE                | TSSOP        | PW              | 20   | 70          | Green (RoHS<br>& no Sb/Br) | CU NIPDAU            | Level-1-260C-UNLIM           |                             |
| PCM5101PWR       | ACTIVE                | TSSOP        | PW              | 20   | 2000        | Green (RoHS<br>& no Sb/Br) | CU NIPDAU            | Level-1-260C-UNLIM           |                             |
| PCM5102PW        | ACTIVE                | TSSOP        | PW              | 20   | 70          | Green (RoHS<br>& no Sb/Br) | CU NIPDAU            | Level-1-260C-UNLIM           |                             |
| PCM5102PWR       | ACTIVE                | TSSOP        | PW              | 20   | 2000        | Green (RoHS<br>& no Sb/Br) | CU NIPDAU            | Level-1-260C-UNLIM           |                             |

<sup>(1)</sup> The marketing status values are defined as follows:

**ACTIVE:** Product device recommended for new designs.

**LIFEBUY:** TI has announced that the device will be discontinued, and a lifetime-buy period is in effect.

**NRND:** Not recommended for new designs. Device is in production to support existing customers, but TI does not recommend using this part in a new design.

**PREVIEW:** Device has been announced but is not in production. Samples may or may not be available.

**OBSOLETE:** TI has discontinued the production of the device.

<sup>(2)</sup> Eco Plan - The planned eco-friendly classification: Pb-Free (RoHS), Pb-Free (RoHS Exempt), or Green (RoHS & no Sb/Br) - please check <http://www.ti.com/productcontent> for the latest availability information and additional product content details.

**TBD:** The Pb-Free/Green conversion plan has not been defined.

**Pb-Free (RoHS):** TI's terms "Lead-Free" or "Pb-Free" mean semiconductor products that are compatible with the current RoHS requirements for all 6 substances, including the requirement that lead not exceed 0.1% by weight in homogeneous materials. Where designed to be soldered at high temperatures, TI Pb-Free products are suitable for use in specified lead-free processes.

**Pb-Free (RoHS Exempt):** This component has a RoHS exemption for either 1) lead-based flip-chip solder bumps used between the die and package, or 2) lead-based die adhesive used between the die and leadframe. The component is otherwise considered Pb-Free (RoHS compatible) as defined above.

**Green (RoHS & no Sb/Br):** TI defines "Green" to mean Pb-Free (RoHS compatible), and free of Bromine (Br) and Antimony (Sb) based flame retardants (Br or Sb do not exceed 0.1% by weight in homogeneous material)

<sup>(3)</sup> MSL, Peak Temp. -- The Moisture Sensitivity Level rating according to the JEDEC industry standard classifications, and peak solder temperature.

**Important Information and Disclaimer:** The information provided on this page represents TI's knowledge and belief as of the date that it is provided. TI bases its knowledge and belief on information provided by third parties, and makes no representation or warranty as to the accuracy of such information. Efforts are underway to better integrate information from third parties. TI has taken and continues to take reasonable steps to provide representative and accurate information but may not have conducted destructive testing or chemical analysis on incoming materials and chemicals. TI and TI suppliers consider certain information to be proprietary, and thus CAS numbers and other limited information may not be available for release.

In no event shall TI's liability arising out of such information exceed the total purchase price of the TI part(s) at issue in this document sold by TI to Customer on an annual basis.

**TAPE AND REEL INFORMATION**

**QUADRANT ASSIGNMENTS FOR PIN 1 ORIENTATION IN TAPE**


\*All dimensions are nominal

| Device     | Package Type | Package Drawing | Pins | SPQ  | Reel Diameter (mm) | Reel Width W1 (mm) | A0 (mm) | B0 (mm) | K0 (mm) | P1 (mm) | W (mm) | Pin1 Quadrant |
|------------|--------------|-----------------|------|------|--------------------|--------------------|---------|---------|---------|---------|--------|---------------|
| PCM5100PWR | TSSOP        | PW              | 20   | 2000 | 330.0              | 16.4               | 6.95    | 7.1     | 1.6     | 8.0     | 16.0   | Q1            |
| PCM5101PWR | TSSOP        | PW              | 20   | 2000 | 330.0              | 16.4               | 6.95    | 7.1     | 1.6     | 8.0     | 16.0   | Q1            |
| PCM5102PWR | TSSOP        | PW              | 20   | 2000 | 330.0              | 16.4               | 6.95    | 7.1     | 1.6     | 8.0     | 16.0   | Q1            |

**TAPE AND REEL BOX DIMENSIONS**


\*All dimensions are nominal

| Device     | Package Type | Package Drawing | Pins | SPQ  | Length (mm) | Width (mm) | Height (mm) |
|------------|--------------|-----------------|------|------|-------------|------------|-------------|
| PCM5100PWR | TSSOP        | PW              | 20   | 2000 | 346.0       | 346.0      | 33.0        |
| PCM5101PWR | TSSOP        | PW              | 20   | 2000 | 346.0       | 346.0      | 33.0        |
| PCM5102PWR | TSSOP        | PW              | 20   | 2000 | 346.0       | 346.0      | 33.0        |



## IMPORTANT NOTICE

Texas Instruments Incorporated and its subsidiaries (TI) reserve the right to make corrections, modifications, enhancements, improvements, and other changes to its products and services at any time and to discontinue any product or service without notice. Customers should obtain the latest relevant information before placing orders and should verify that such information is current and complete. All products are sold subject to TI's terms and conditions of sale supplied at the time of order acknowledgment.

TI warrants performance of its hardware products to the specifications applicable at the time of sale in accordance with TI's standard warranty. Testing and other quality control techniques are used to the extent TI deems necessary to support this warranty. Except where mandated by government requirements, testing of all parameters of each product is not necessarily performed.

TI assumes no liability for applications assistance or customer product design. Customers are responsible for their products and applications using TI components. To minimize the risks associated with customer products and applications, customers should provide adequate design and operating safeguards.

TI does not warrant or represent that any license, either express or implied, is granted under any TI patent right, copyright, mask work right, or other TI intellectual property right relating to any combination, machine, or process in which TI products or services are used. Information published by TI regarding third-party products or services does not constitute a license from TI to use such products or services or a warranty or endorsement thereof. Use of such information may require a license from a third party under the patents or other intellectual property of the third party, or a license from TI under the patents or other intellectual property of TI.

Reproduction of TI information in TI data books or data sheets is permissible only if reproduction is without alteration and is accompanied by all associated warranties, conditions, limitations, and notices. Reproduction of this information with alteration is an unfair and deceptive business practice. TI is not responsible or liable for such altered documentation. Information of third parties may be subject to additional restrictions.

Resale of TI products or services with statements different from or beyond the parameters stated by TI for that product or service voids all express and any implied warranties for the associated TI product or service and is an unfair and deceptive business practice. TI is not responsible or liable for any such statements.

TI products are not authorized for use in safety-critical applications (such as life support) where a failure of the TI product would reasonably be expected to cause severe personal injury or death, unless officers of the parties have executed an agreement specifically governing such use. Buyers represent that they have all necessary expertise in the safety and regulatory ramifications of their applications, and acknowledge and agree that they are solely responsible for all legal, regulatory and safety-related requirements concerning their products and any use of TI products in such safety-critical applications, notwithstanding any applications-related information or support that may be provided by TI. Further, Buyers must fully indemnify TI and its representatives against any damages arising out of the use of TI products in such safety-critical applications.

TI products are neither designed nor intended for use in military/aerospace applications or environments unless the TI products are specifically designated by TI as military-grade or "enhanced plastic." Only products designated by TI as military-grade meet military specifications. Buyers acknowledge and agree that any such use of TI products which TI has not designated as military-grade is solely at the Buyer's risk, and that they are solely responsible for compliance with all legal and regulatory requirements in connection with such use.

TI products are neither designed nor intended for use in automotive applications or environments unless the specific TI products are designated by TI as compliant with ISO/TS 16949 requirements. Buyers acknowledge and agree that, if they use any non-designated products in automotive applications, TI will not be responsible for any failure to meet such requirements.

Following are URLs where you can obtain information on other Texas Instruments products and application solutions:

### Products

|                             |  |
|-----------------------------|--|
| Audio                       | <a href="http://www.ti.com/audio">www.ti.com/audio</a>             |
| Amplifiers                  | <a href="http://amplifier.ti.com">amplifier.ti.com</a>             |
| Data Converters             | <a href="http://dataconverter.ti.com">dataconverter.ti.com</a>     |
| DLP® Products               | <a href="http://www.dlp.com">www.dlp.com</a>                       |
| DSP                         | <a href="http://dsp.ti.com">dsp.ti.com</a>                         |
| Clocks and Timers           | <a href="http://www.ti.com/clocks">www.ti.com/clocks</a>           |
| Interface                   | <a href="http://interface.ti.com">interface.ti.com</a>             |
| Logic                       | <a href="http://logic.ti.com">logic.ti.com</a>                     |
| Power Mgmt                  | <a href="http://power.ti.com">power.ti.com</a>                     |
| Microcontrollers            | <a href="http://microcontroller.ti.com">microcontroller.ti.com</a> |
| RFID                        | <a href="http://www.ti-rfid.com">www.ti-rfid.com</a>               |
| RF/IF and ZigBee® Solutions | <a href="http://www.ti.com/lprf">www.ti.com/lprf</a>               |

### Applications

|                               |  |
|-------------------------------|--|
| Communications and Telecom    | <a href="http://www.ti.com/communications">www.ti.com/communications</a>                 |
| Computers and Peripherals     | <a href="http://www.ti.com/computers">www.ti.com/computers</a>                           |
| Consumer Electronics          | <a href="http://www.ti.com/consumer-apps">www.ti.com/consumer-apps</a>                   |
| Energy and Lighting           | <a href="http://www.ti.com/energy">www.ti.com/energy</a>                                 |
| Industrial                    | <a href="http://www.ti.com/industrial">www.ti.com/industrial</a>                         |
| Medical                       | <a href="http://www.ti.com/medical">www.ti.com/medical</a>                               |
| Security                      | <a href="http://www.ti.com/security">www.ti.com/security</a>                             |
| Space, Avionics and Defense   | <a href="http://www.ti.com/space-avionics-defense">www.ti.com/space-avionics-defense</a> |
| Transportation and Automotive | <a href="http://www.ti.com/automotive">www.ti.com/automotive</a>                         |
| Video and Imaging             | <a href="http://www.ti.com/video">www.ti.com/video</a>                                   |
| Wireless                      | <a href="http://www.ti.com/wireless-apps">www.ti.com/wireless-apps</a>                   |

TI E2E Community Home Page

[e2e.ti.com](http://e2e.ti.com)

Mailing Address: Texas Instruments, Post Office Box 655303, Dallas, Texas 75265  
Copyright © 2011, Texas Instruments Incorporated